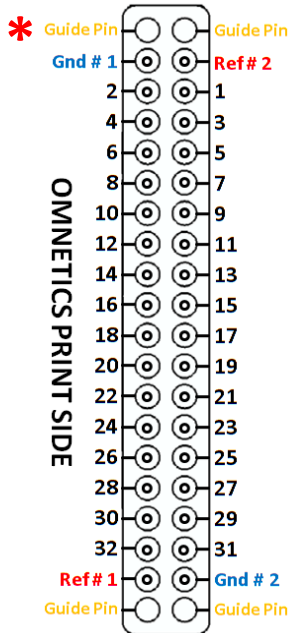
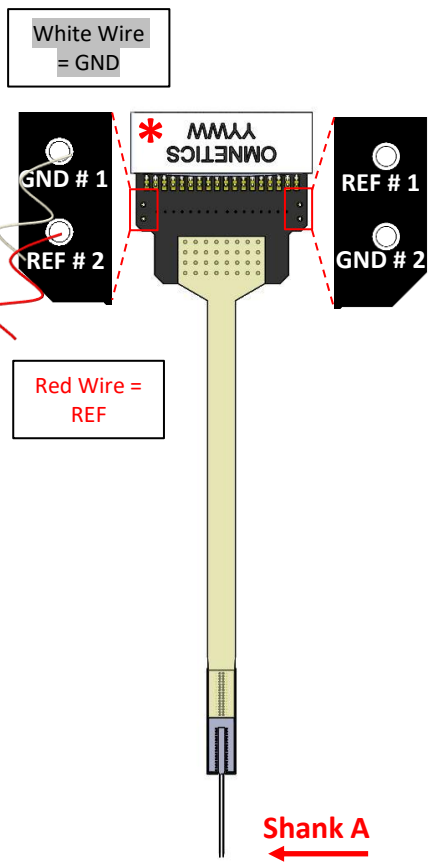


Mapping for Chronic 32 Channel Probe

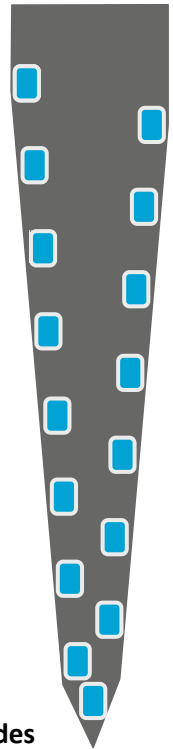
ASSY-116 E-1 & E-2



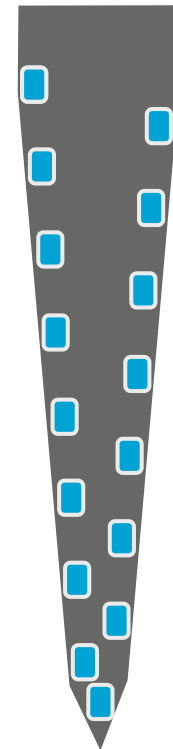
Red Wire and White Wire correspond to indicated REF and GND pins on the probe connector - verify how these connect to your headstage pre-amplifier (1 wire may be sufficient if you prefer GND / REF shorted-together in your headstage).



Shank A



Shank B



29	
	28
27	
	26
30	
	25
24	
	23
31	
	22
21	
	20
17	
	32
19	
	18

3	
	6
5	
	8
4	
	7
10	
	9
1	
	12
11	
	14
15	
	2
13	
	16

Electrodes this side

Shank A