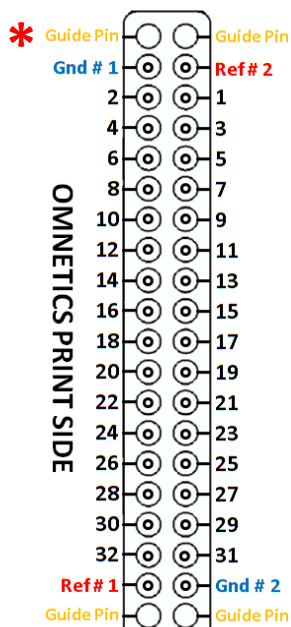
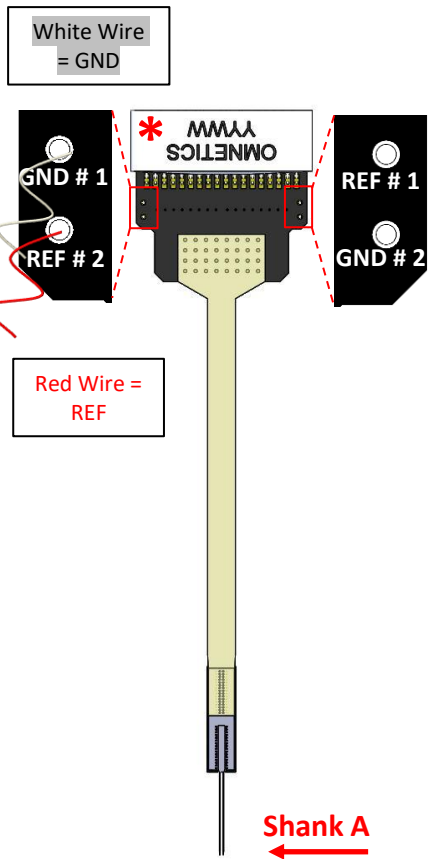


Mapping for Chronic 32 Channel Probe

ASSY-116 P-1 & P-2



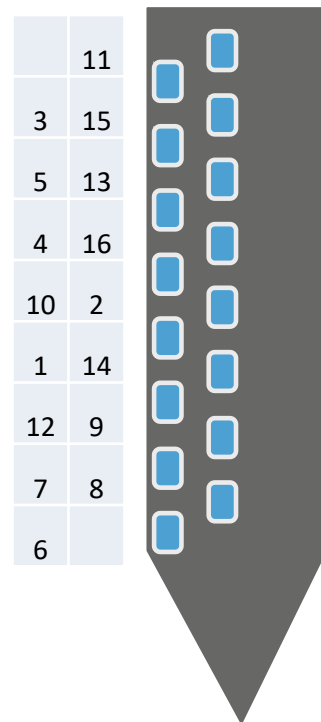
Red Wire and White Wire correspond to indicated REF and GND pins on the probe connector - verify how these connect to your headstage pre-amplifier (1 wire may be sufficient if you prefer GND / REF shorted-together in your headstage).



Shank A



Shank B



Electrodes
this side