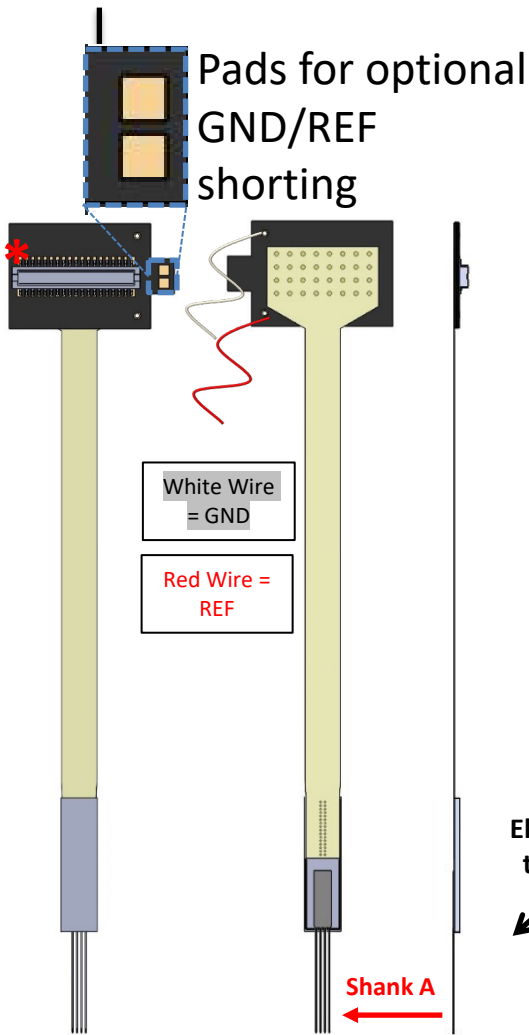
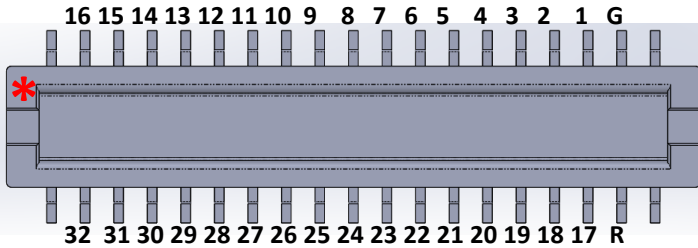


Mapping for Chronic 64-Channel Probe

Molex connector ASSY-196 H4

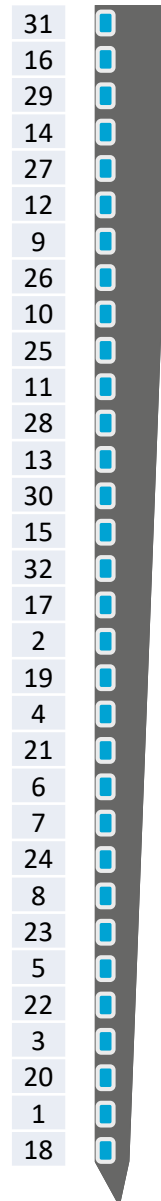
Electrodes are located on the side of the probe as indicated by the arrow below - use Shank A orientation as a reference to construct the channel-map in to your headstage pre-amplifier.

Red Wire and White Wire correspond to indicated REF and GND pins on the probe connector - verify how these connect to your headstage pre-amplifier (often 1 wire is sufficient).



Back view

Front view



Electrodes
this side

