

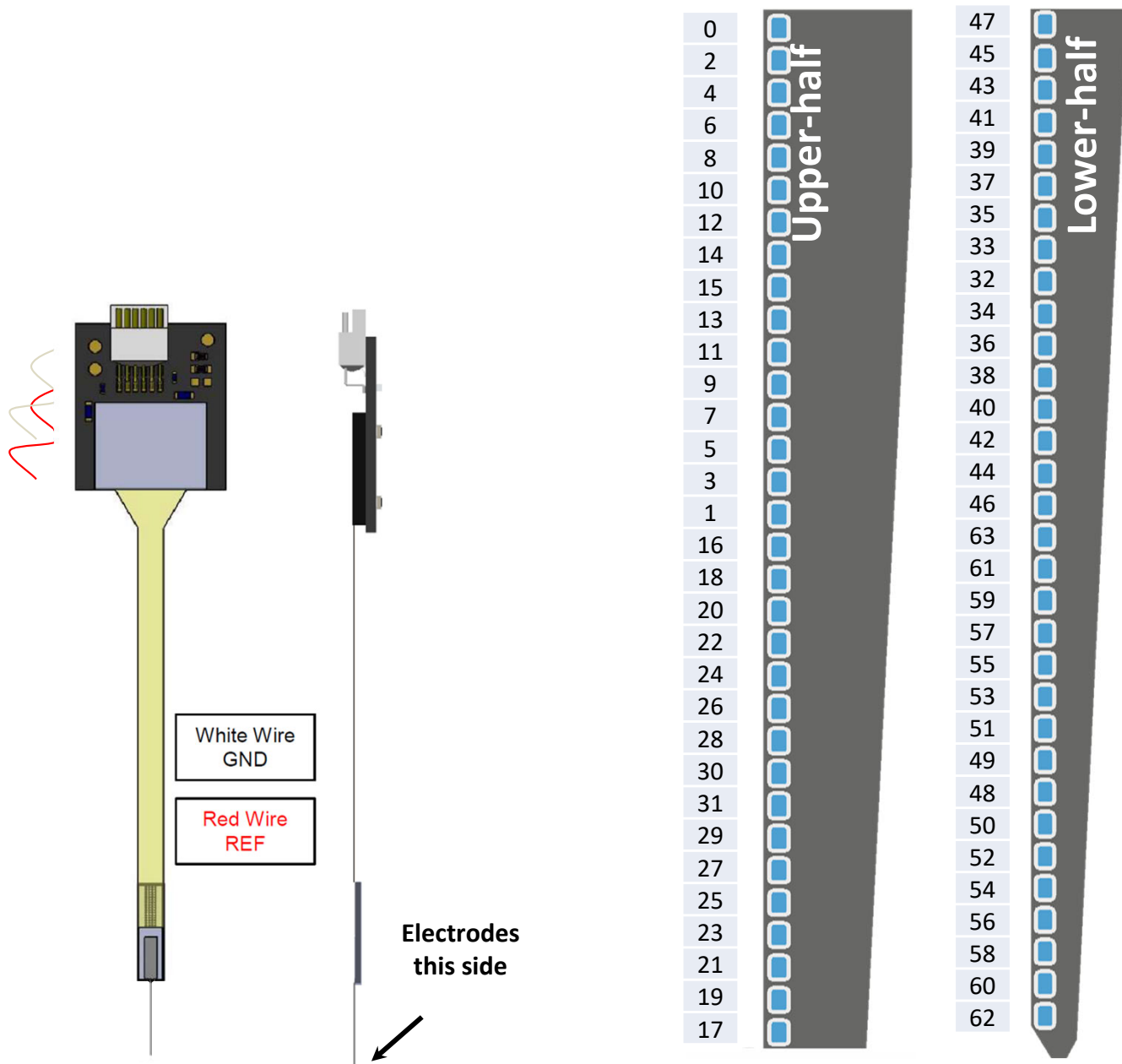
Mapping for Digital 64-Channel Probe

SPI connector

ASSY-325 H3 & L3

Electrodes are located on the side of the probe as indicated by the arrow below - use Shank A orientation as a reference to construct the channel-map with respect to your brain target. Electrode numbers are 0-indexed so as to correspond to the Intan / Open Ephys data-acquisition software channels.

Red Wire and White Wire correspond to indicated REF and GND inputs to the headstage amplifier.



Front view